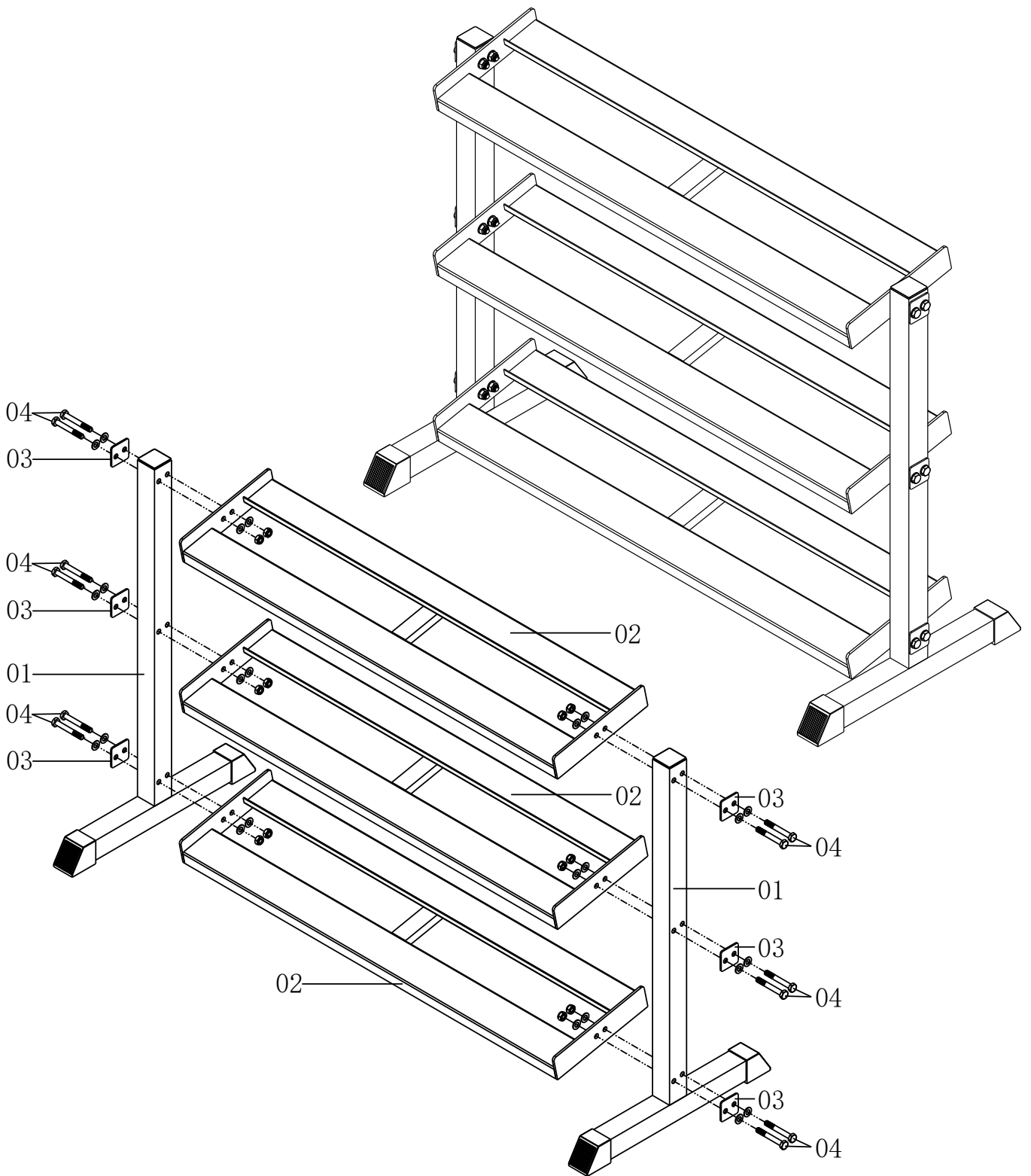


# DUMBBELL RACK



| PART NO | DESCRIPTION  | Q'TY |
|---------|--|------|
| 01      | UPRIGHT POST   | 2    |
| 02      | DUMBBELL PIATE   | 3    |
| 03      | CONNECTING PLATE                                       | 6    |
| 04      | HEX BOLT M10*70 + TWO Washer $\phi$ 10 + Nylon nut M10 | 12   |